

# new wave

**DOORS THAT DO WHAT BI-FOLDS DON'T!**



**Buyers Guide**  
Your guide to the New Wave Door

# uPVC New Wave



Our uPVC New Wave Doors offer incredible design, quality and performance at an incredible price.

All of our New Wave Doors are manufactured to order in our dedicated manufacturing facility, utilising cutting edge machinery and highly skilled fabricators to ensure that each door is produced to a consistently high standard.

Our uPVC design is popular with customers looking for a patio door solution that matches their existing uPVC windows and can be manufactured in a huge range of standard or RAL colours. The door's low U-value and A+ rated Low E glass make this door incredibly heat efficient and environmentally friendly.

**DOORS THAT DO WHAT BI-FOLDS DON'T!**



## Complete flexibility

With the UK weather and the limited opening options of a bi-folding door, you have to ask yourself this...

How often are you actually going to be able to open a bi-folding door? Well, you may not be able to control the weather, BUT you can control how you open your New Wave.

## Altogether a wall against the weather

The New Wave Doors have excellent weather and security performance.

When closed the New Wave Door becomes a wall rather than a door. The individual panels don't have to fold or slide past one another so they can fully engage with each other to form one large panel.



## Pure and Simple Elegance

It's not what you see its what you don't see.

Thanks to the ingenuity concealed within the New Wave Door and its patented Magnaline technology, the sliding panels have no unsightly handles, hinges or weather seals.

# Aluminium New Wave



Our Aluminium New Wave Doors offer unbeatable contemporary style and practical use for any home.

Because of its low threshold and flush, thermally broken profile the Aluminium New Wave Door offers maximum glass area to create a sleek and attractive divide between your living space and the outside world.

These doors are available in a premium textured finish or choose from our classic colour range for a door that will look superb in any location. This door doesn't just look pretty, it features a multi-point locking system, internal beading and aluminium interlocks that make the Aluminium New Wave one of the most secure doors on the market.

**DOORS THAT DO WHAT BI-FOLDS DON'T!**



## Complete flexibility

With the UK weather and the limited opening options of a bi-folding door, you have to ask yourself this...

How often are you actually going to be able to open a bi-folding door? Well, you may not be able to control the weather, BUT you can control how you open your New Wave.

## Altogether a wall against the weather

The New Wave Doors have excellent weather and security performance.

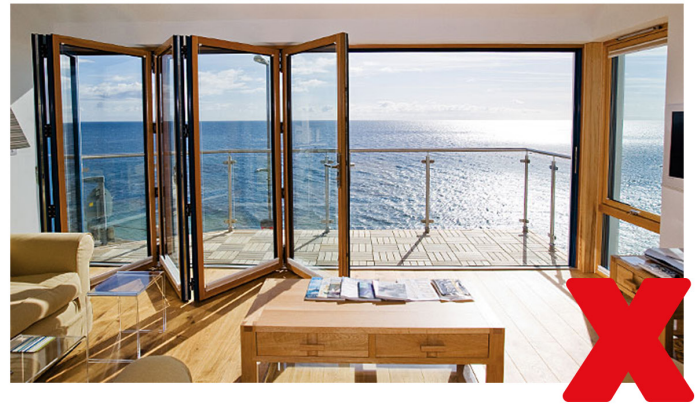
When closed the New Wave Door becomes a wall rather than a door. The individual panels don't have to fold or slide past one another so they can fully engage with each other to form one large panel.



## Pure and Simple Elegance

It's not what you see its what you don't see.

Thanks to the ingenuity concealed within the New Wave Door and its patented Magnaline technology, the sliding panels have no unsightly handles, hinges or weather seals.



**new wave**  
the slide and swing patio door system

**Why have a bi-fold, when you can have better?**

Using its revolutionary SLIDE and SWING system, New Wave Doors offer you a fresh alternative to bi-folds. Giving you space, ventilation, ease & simplicity without all of the compromises that bi-folds bring.

**DOORS THAT DO WHAT BI-FOLDS DON'T!**

# Better than a bi-fold?

It's the most popular patio door solution by far, but here's why we think it's time to buck the bi-fold.

## Bi-folding Doors



Panels are connected to each other and cannot operate individually - More difficult to open



Expansion between connected panels causes considerable stress in the door system - Causing operation to deteriorate over time



Need considerable space to operate both inside and out - Encroaching on your living space



Visible hinges and hardware - Unsightly, prone to weathering and damage



Often difficult to locate a problem - Expensive and difficult to service when problems occur



Fully open or closed - Not suitable for UK weather

## New Wave Doors



Each panel can be operated individually and features patented Magnaline technology, for smooth and easy operation



Not just an open and shut case - Safely open as much or as little of the door as you want, to suit the weather conditions or your lifestyle choices.



Panels are not connected by complex gearing and there is no weight displacement - Making New Wave Doors incredibly reliable and easy to maintain



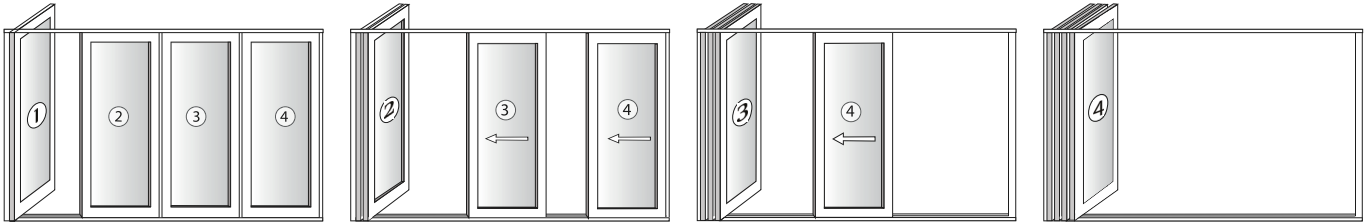
Live on the edge - Thanks to Magnaline technology, your living space extends right up to the edge of your New Wave Door, both inside and out



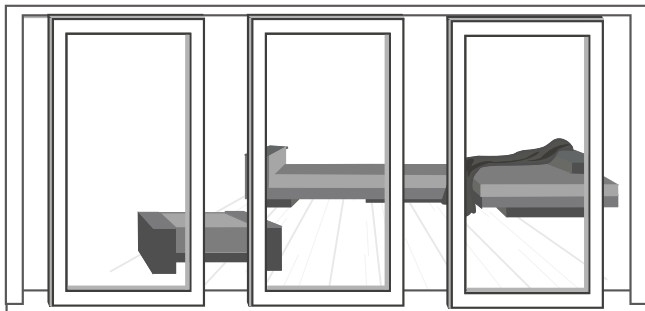
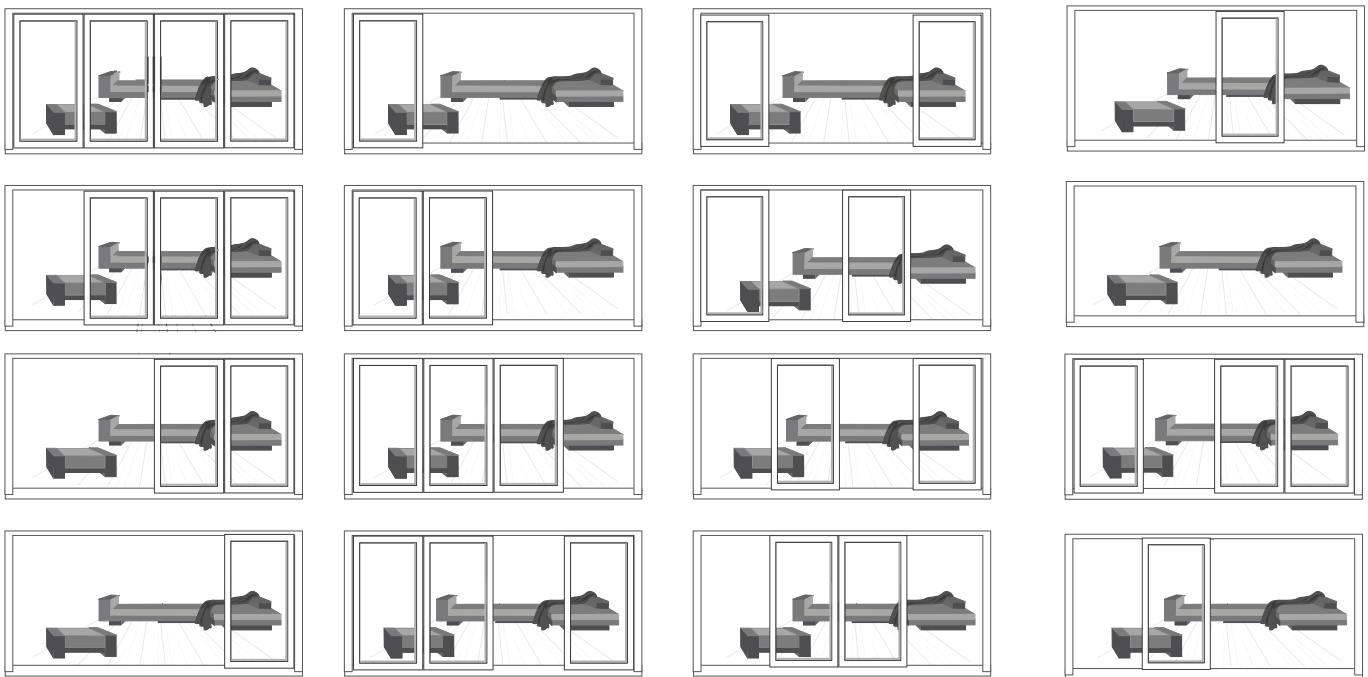
Pure and simple elegance - The sliding panels have no unsightly handles, hinges or weather seals, meaning exceptional sight-lines and functionality

# Why choose New Wave?

The panels slide to the side and then swing open.



Position doors anywhere in the opening you choose.



...and anywhere in-between

New Wave allows you to position the doors in a safe vented position. As much or as little ventilation as you choose!

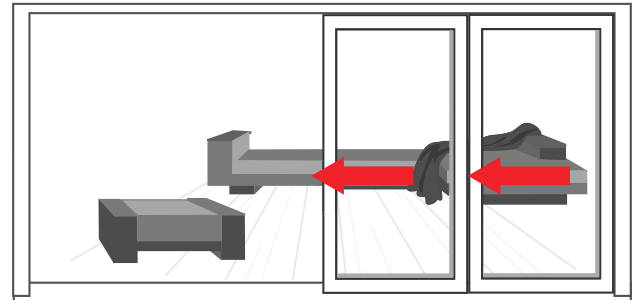
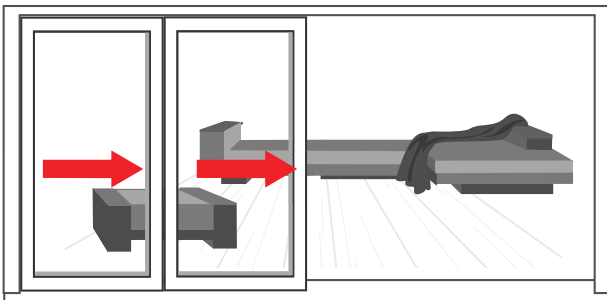
**DOORS THAT DO WHAT BI-FOLDS DON'T!**



# It's more than just a door, it's a moveable wall system.

**The Division with Precision:** a flexible and practical partition between living spaces within the home as well as with the outside. A Wall where you want it when you want it.

**Split Decision:** not sure if you want to divide your conservatory from your main house? Do this without losing any of the effect or wasting any of the space. Divide as much or as little as you want-when you want.



## Reliability through simplicity

**Simply the best:** our patented Magnaline technology makes the operation of the New Wave Door simple and easy. Remember it is essentially a patio door and there are patio doors out there that are 40 years old and are still working!

**Quick fix:** The clever Magnaline system makes the removal and refitting of door panels quick and easy, under ten minutes in fact, so if your door was accidentally damaged it's a quick fix that won't cost the earth (unlike a bi-fold)!



### Time after time...

During exhibitions and events, our New Wave Doors frequently complete in excess of 10000 opening and closing cycles- the equivalent of 25 years use, per day!

With only minor servicing and maintenance, these doors remain in use today.

# Technical Specifications

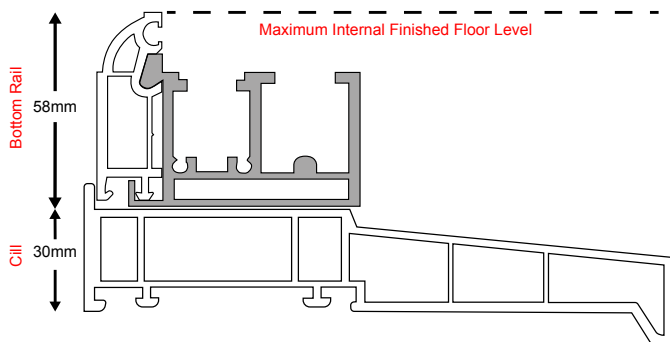
All of our New Wave Doors are made to order in our dedicated manufacturing facility, utilising cutting edge machinery, quality materials and skilled fabricators to ensure that each door is produced to a consistently high standard.

<b>MODEL</b>	uPVC New Wave Door
<b>FRAME DEPTH</b>	70mm
<b>CILL</b>	External - Height: 30mm
<b>PANEL SIZE</b>	650-850mm Wide x 1850-2200mm High
<b>CONSTRUCTION</b>	Reinforced top grade uPVC
<b>DOOR THICKNESS</b>	90mm
<b>OVERALL DOOR SET WEIGHT</b>	Double Glazed 50kg per panel. Weight supported on bottom.
<b>DOUBLE GLAZED</b>	Yes
<b>TRIPLE GLAZED</b>	No
<b>FSC APPROVED</b>	No
<b>GLAZING</b>	Low E, Argon filled double glazed unit using toughened tempered safety glass.
<b>GUARANTEE</b>	Aluminium finish: 25 Years if installed a minimum of 800 metres from the sea. 10 Year Product Guarantee.
<b>OPENING OPTIONS</b>	Left or right opening option, opens in or out.
<b>PART L COMPLIANT</b>	Yes
<b>SAFETY GLASS COMPLIANCE</b>	BSEN12150 & BSEN 12600
<b>SECURITY</b>	Twin deadbolts in upper and lower positions on main access door passes the rigours of PAS 24 and the forthcoming EN14351-1 2006 security standard.
<b>U VALUE</b>	1.5 W/m <sup>2</sup> K or 1.4 W/m <sup>2</sup> K
<b>WEATHER TESTED</b>	Yes
<b>HANDLES</b>	Brushed Metallic
<b>TRICKLE VENTS</b>	Yes (only through 42mm add-on section)

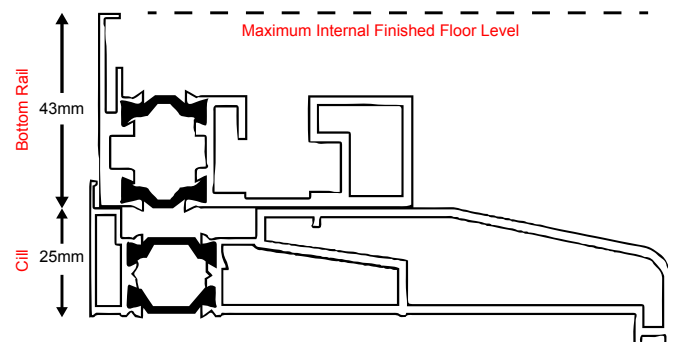
**DOORS THAT DO WHAT BI-FOLDS DON'T!**

<b>MODEL</b>	Aluminium New Wave Door
<b>FRAME DEPTH</b>	70mm
<b>CILL</b>	External - Height: 25mm
<b>CILL SPEC</b>	Thermally broken aluminium cill, powder coated RAL colours.
<b>PANEL SIZE</b>	650-1000mm Wide x 1850-2400mm High
<b>CONSTRUCTION</b>	Thermally broken aluminium
<b>DOOR THICKNESS</b>	70mm
<b>OVERALL DOOR SET WEIGHT</b>	Double Glazed 50kg per panel. Weight supported on bottom.
<b>DOUBLE GLAZED</b>	Yes
<b>TRIPLE GLAZED</b>	No
<b>FSC APPROVED</b>	No
<b>GLAZING</b>	Low E, Argon filled double glazed unit using toughened tempered safety glass.
<b>GUARANTEE</b>	Aluminium finish: 25 Years if installed a minimum of 800 metres from the sea. 10 Year Product Guarantee.
<b>OPENING OPTIONS</b>	Left or right opening option, opens in or out.
<b>PART L COMPLIANT</b>	Yes
<b>SAFETY GLASS COMPLIANCE</b>	BSEN12150 & BSEN 12600
<b>SECURITY</b>	Twin deadbolts in upper and lower positions on main access door passes the rigours of PAS 24 and the forthcoming EN14351-1 2006 security standard.
<b>U VALUE</b>	1.7 W/m <sup>2</sup> K or 1.6 W/m <sup>2</sup> K
<b>WEATHER TESTED</b>	Yes
<b>HANDLES</b>	Brushed Metallic
<b>TRICKLE VENTS</b>	Yes (only through 42mm add-on section)

PVC Threshold



Aluminium Threshold





**SLIDE & SWING PATIO DOOR SYSTEM**

**DOORS THAT DO  
WHAT BI-FOLDS DON'T!**

[www.newwavedoors.co.uk](http://www.newwavedoors.co.uk)